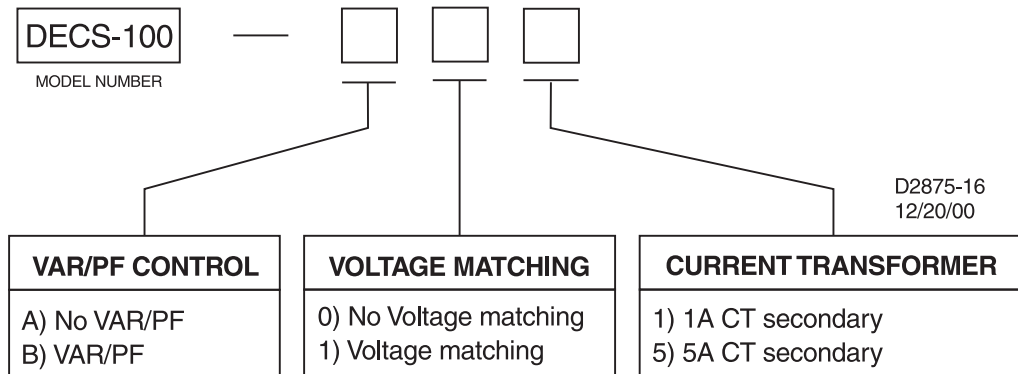


HOW TO ORDER

The DECS-100 is selected by the style chart below. For example, if a DECS-100 is required with VAR/PF control, voltage matching, and a 5 Amp CT, the complete model number would be DECS-100-B15.



Additional information:

- The DECS-100 is available in bulk-packaged shipments of 50 pieces. If this is desired, please inform your customer service representative.
- The DECS-100 is shipped with a CD-ROM that contains the Instruction Manual, Product Bulletin, and BESTCOMS for PC Windows®-based operating systems. Printed manuals and bulletins are available at an additional cost.

ACCESSORIES

DECS-100 is designed to operate with the following accessories. For additional product compatibility, please contact your application specialist at Basler Electric or your sales representative.

- MVC300 Manual Voltage Controller
- EDM200 Exciter Diode Monitor
- EL200 Min/Max Excitation Limiter
- SCP250 VAR/PF controller
- ICRM-7 Inrush Current Reduction Module is required when energizing the DECS-100 from a source that is already at the regulator's input power ratings. This module minimizes the amount of inrush current that could be seen when power is applied.



P.A.E. Les Pins, 67319 Wasselonne Cedex FRANCE
 Tel +33 3.88.87.1010 Fax +33 3.88.87.0808
 e-mail: franceinfo@basler.com

No. 59 Heshun Road Loufeng District (N),
 Suzhou Industrial Park, 215122, Suzhou, P.R. China
 Tel +86(0)512 8227 2888 Fax +86(0)512 8227 2887
 e-mail: chinainfo@basler.com

111 North Bridge Road #15-06 Peninsula Plaza
 Singapore 179098
 Tel +65 68.44.6445 Fax +65 65.68.44.8902
 e-mail: singaporeinfo@basler.com
 Printed in U.S.A.